

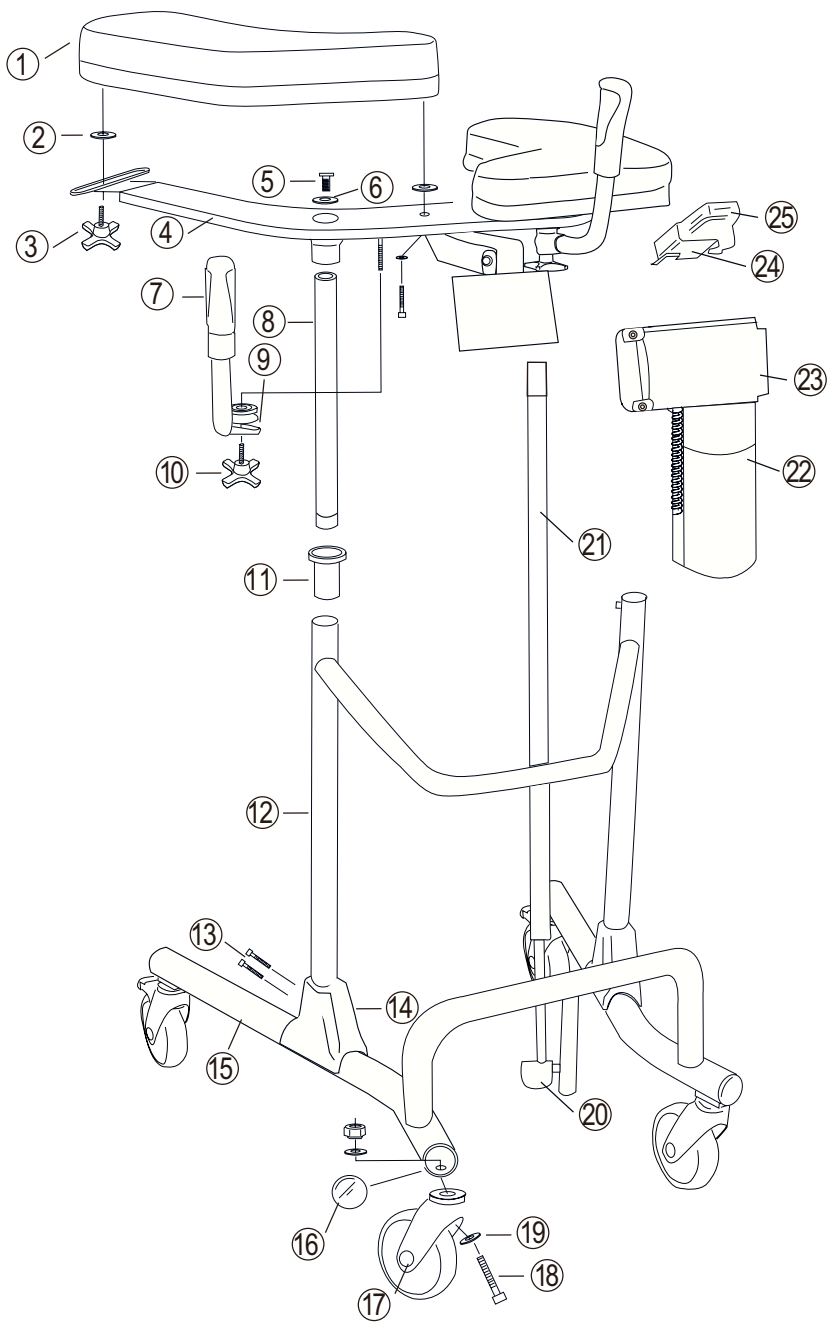


DIGITAL

BureTM

Walker

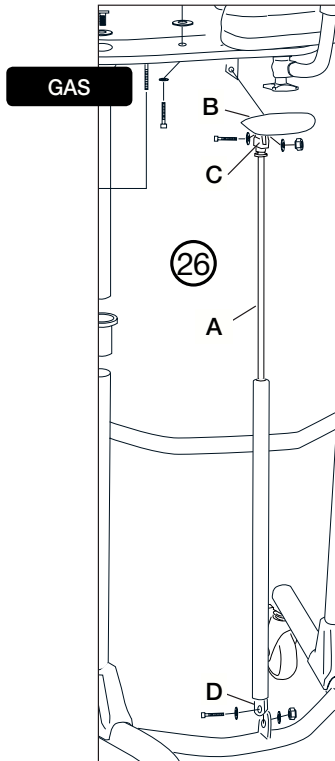
Bure Ortho 56-317T
Bure Ortho (S) Gas 56-318 (-S)
Bure Space 56-304
Bure Space Gas 56-307



Parts list

1 Arm rest plate	13 Bolts	23 Battery
2 Plastic washer	14 Protective cover	24 Holder/ remote control
3 Knob	15 Base frame	25 Remote control (T-Motion)
4 Upper frame	16 End bushing	26 A Gas strut
5 Attachment bolt (2 pcs)	17 Castor	B Handle
6 Serrated washer	18 Bolt	C Arm/housing
7 Handle and grip	19 Washer	D Bolt, washer (2 pcs), nut (attachment at bottom and top)
8 Chromium-plated tube	20 Cover/green	
9 Clamp	21 Actuator (T-Motion)	
10 Knob	22 Control box (T-Motion)	
11 Guide sleeve		
12 Intermediate frame		

Ortho/Space EI 1-25
Ortho Gas 1-20, 26



Spare parts

No.	Part No.	Description
1	57-357-R	Arm rest plate, right
1	56-357-L	Arm rest plate, left
2	57-904	Plastic washer/Arm support widening
3	56-364	Knob for adj. width of arm rest plates
4	57-356	Upper frame
5	57-816	Attachment bolt, M10x40
6	57-803	Serrated washer
7, 9,10	56-353	Handle kit (2 pairs incl. attachment knob/clamps)
8	58-311	Guide tube with bronze bushings
10	56-363	Knob for adjusting handle
11	56-340	Guide sleeve
12	57-355	Intermediate frame,
13	57-810	Bolt M8x45
14	56-375	Protective cover, plastic
15	57-354	Lower frame Bure Ortho
15	57-354-S	Lower frame Bure Ortho S
15	57-354-S	Lower frame Bure Space
16	56-344	End piece, lower frame, Black/D45
17	56-361	Castor with brake 125mm
-	56-357	Castor without brake 100 mm
-	56-358	Castor with brake 100 mm
-	56-360	Castor without brake 125 mm
-	56-387	Castor with brake 75 mm
18	-	Bolt M10x50
19	57-848	Nordloc washer
20	58-331	Cover/green (T-motion)
20	58-332	Cover/green (Linak)
21	58-377	T-Motion – Actuator (Raise/Lower)
22	58-373	T-Motion – Control box 220 V
22	58-373-1	T-motion- Control box 110 V
23	58-376	T-Motion – Battery
24	57-041-2	Holder, hand controller
25	58-374-1	T-Motion – Hand control (Raise/Lower)
-	56-305	Touch-up paint, Bure Silver 8
-	58-326	T-Motion – Power cable, coiled
-	58-326-1	Power cable, coiled UK
-	58-326-2	Power cable, coiled US
-	58-326-3	Power cable, coiled AUS
26A	57-007-1	Gas strut 400mm
26B	57-329	Plastic handle
26C	57-008-2	Lever/Alu

Accessories

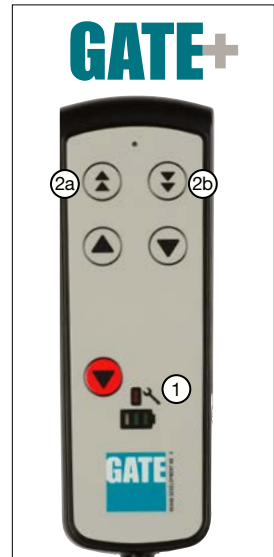
Part No.	Description
56-326-0	Handbrake kit/2 handles
56-326-1	Handbrake kit/One-handed brake
56-327	Frame elevation kit, 70 mm
56-393	Footplate, short, Bure Ortho/Space
56-383	Footplate, long, Bure Ortho/Space
56-392	Drip holder
56-335	Attachment for drip holder
56-336	Oxygen holder
56-337	Side support, adjustable
56-338	Drip rod complete with attachment
56-389	Soft basket with attachment
56-061	Remote control PLUS (TH10) including Holder

Remote Control Plus

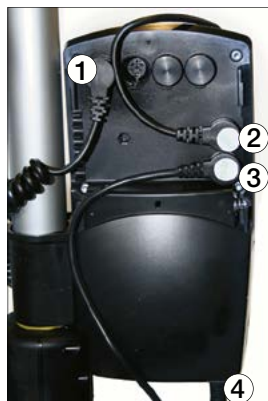
****1.** Service indicator – flashes red after 11 months' operation. Constant light (red) after 12 months' operation. The indicator is a reminder to review the maintenance instruction (see Instructions for Use/Technical Manual. This should be done at least once every 12 months.

Reset: hold down buttons <2a> + <2b> for at least 30 seconds.

**The indicator will go out around 30 seconds after the remote control is activated (battery conservation function).



Other instructions T-Motion



Control box wiring

Remove the control box cover to make the connections as described below. Use a screwdriver or similar; refer to the special labels on the control box.

1. Socket for the raise/lower actuator.
NOTE! Make sure that plugs are connected to the correct sockets otherwise the actuators can be damaged.
2. Remote control socket.
3. Battery terminal socket.
4. Plug socket. NOTE! The plug must ALWAYS be connected to the control box for IP protection to be valid.

Battery charging

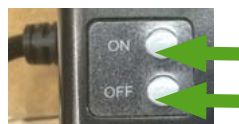
Connect plug to 230V wall socket. Charging begins automatically and the battery LED flashes green.

Make sure the battery is fully charged before using for the first time. It takes around 25 h to fully charge the battery.

We recommend that the battery plug be removed from the control box if the product will be out of use for an extended period (more than one week) or if the battery is switched off by means of the ON/OFF switch. This eliminates the risk of disabling the battery as the control box always uses a small quantity of electricity even when the walker is not in use.

LEDs on control box and battery

- Control box – green light when power is available from battery/mains socket.
- Battery:
 - The LED flashes green during charging.
 - ON/OFF: To use the product, press ON.
 - The green lamp will begin to flash.
 - Use the OFF button (hold down for 5 s) to switch off the battery if the product will not be used for an extended period.
 - The LED will show a constant green light when the battery is fully charged.
 - When the battery is in normal state/in operation, the LED flashes green at REGULAR intervals, namely 0.5 s ON, 4 s OFF.
 - When the battery requires charging (remaining charge <25%) the LED will flash orange/red at REGULAR intervals, namely 0.5 s ON, 4 s OFF.



NOTE! The battery has an in-built device that automatically switches it off when remaining charge is <20%. The LED is then extinguished. The battery must now be fully charged before the electronics can be used again.

General maintenance advice



- Wipe the walker and its armrests clean as necessary; use soap solution or alcohol-based surface disinfectant.
- The product may be cleaned in a tunnel washer or similar as electrical systems have IP65 protection. However, the product is not corrosion proof which means washing by machine may reduce its service life.
- Replace damaged parts immediately; must be done by experienced personnel.
- The product is only intended for indoor use.

Safety instructions

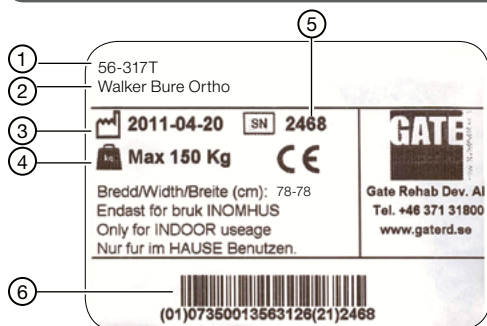


Bure Walker may only be used;

- as a WALKING AID indoors
- on HARD, LEVEL surfaces.

MAX USER WEIGHT: 150 KG

ID label



1. Part number
2. Product name
3. Date of manufacture
4. Max user weight
5. Serial number
6. EAN code

Recycling/Scrapping

When the product is no longer usable it should be recycled in accordance with legislation and regulations in the country concerned. All electrical parts including batteries must be removed and recycled as electrical components. (Ask your local recycling station for further information about how the different materials in the product (metals, plastics, electronics) should be recycled).

Warranty

We provide two years' warranty for manufacturing faults (does not apply to wear parts). For further information or enquiries please contact:



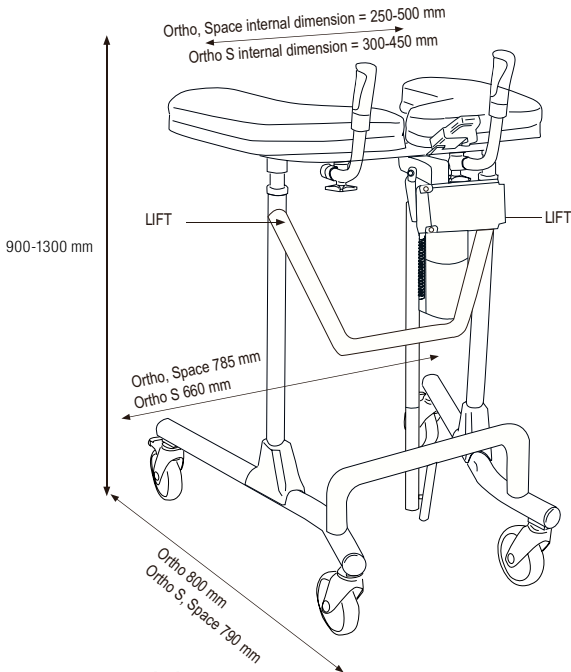
Gate Rehab Development AB
Industrigatan 2, SE-330 21 Reftle
Tel: +46 371 31800
info@gaterd.se

Dimensions

	Ortho, S, Space
Product weight	20 kg (Gas 15kg)
Product height	900-1300 mm

"LIFT" denotes suitable handhold for lifting the walker.

NOTE! At least two people are required for lifting.



CE CE marked according to MDD 93/42/EEC

The expected lifespan of this product = 8 years



WE DO BETTER.

Would you like to know more?

Contact us at: Tel: +46 371 31800
 Gate Rehab Development AB
 Industrigatan 2 | SE-333 75 Reftele
 info@gaterd.com | www.gaterd.com



GATE COLLECTION