



BureTM

StandTall Walker

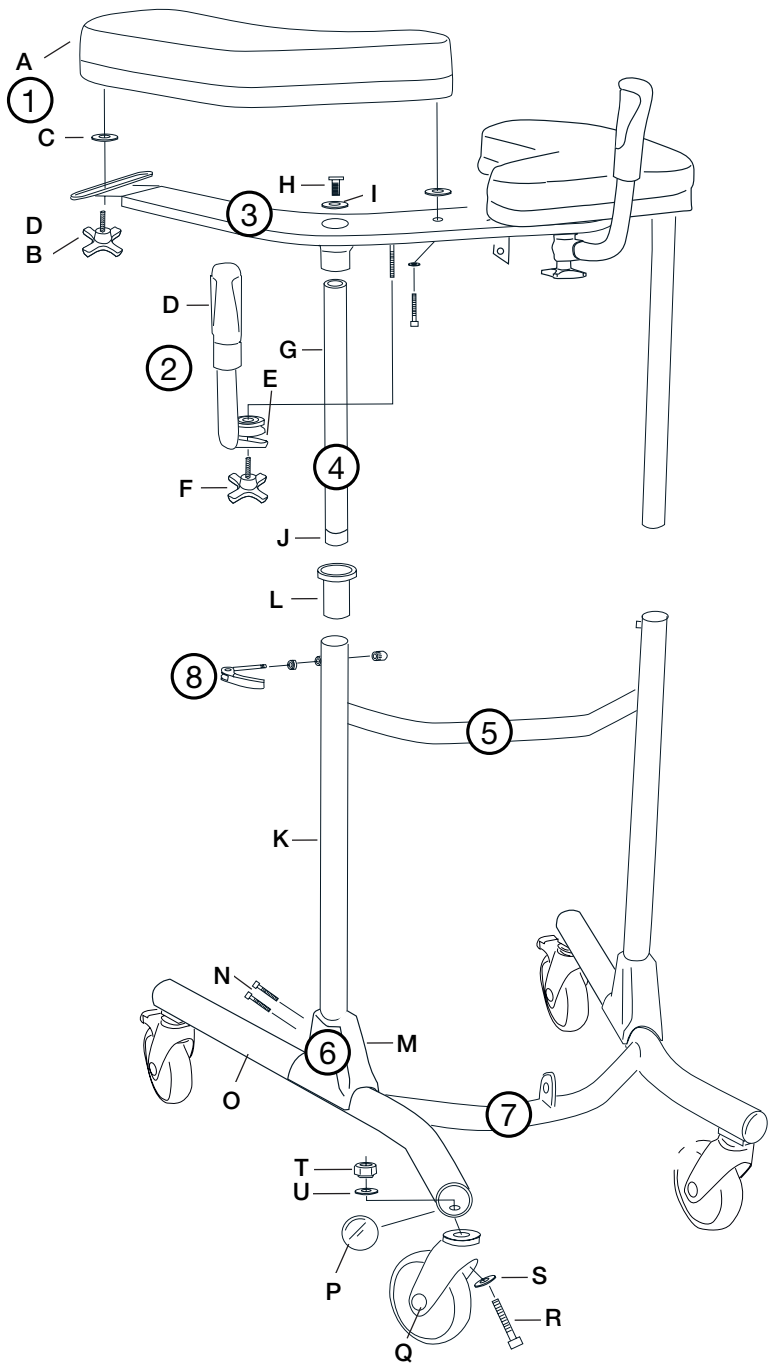
Bure Standard MANUAL 56-310

Bure Standard GAS 56-311

Bure Standard ELECTRIC 56-312

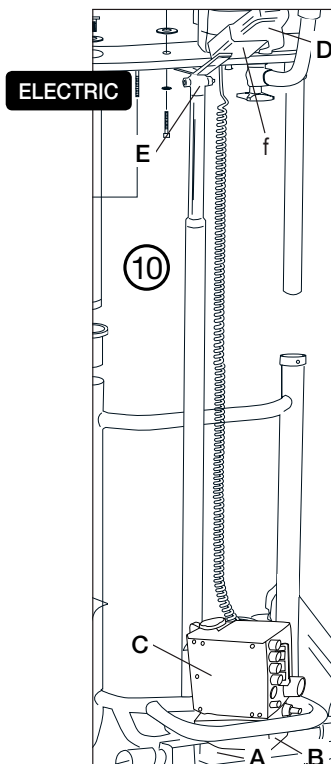
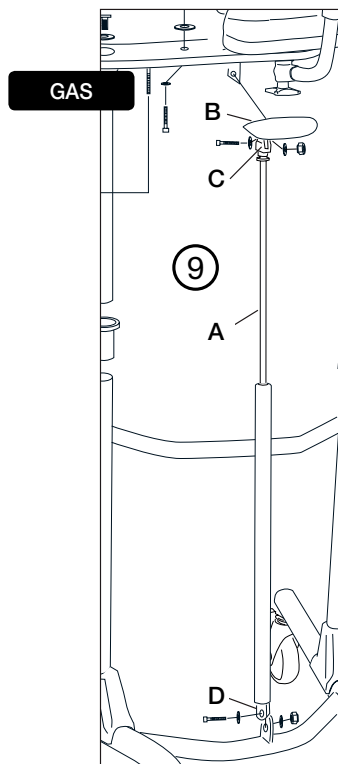
Bure S 56-300, 56-301, 56-302

Bure Low Gas 56-322



Parts list

- | | | |
|--|---|---|
| <p>1 A Armrest
B Knob
C Plastic washer
C Washer, black</p> <p>2 D Handle and grip
E Clamp
F Knob</p> <p>3 Upper frame</p> <p>4 G Chromium-plated tube
H Attachment bolt (2 pcs)
I Serrated washer
J End bushing</p> <p>5 K Frame
L Guide sleeve</p> | <p>6 M Protective cover
N Bolts</p> <p>7 O Wheel frame
P End bushing
Q Wheel
R Bolt
S Washer
T Nut
U Serrated washer</p> <p>8 Locking handle, height adjustment</p> <p>9 A Gas strut
B Handle
C Arm/housing</p> | <p>9 D Bolt, washer (2 pcs), nut (attachment at bottom and top)</p> <p>10 A Battery shelf + attachment bolts
B Battery + nut/bolt (for attachment to battery shelf)
C Control box (Linak)
D Remote control (Linak)
E Actuator (Linak)</p> |
|--|---|---|



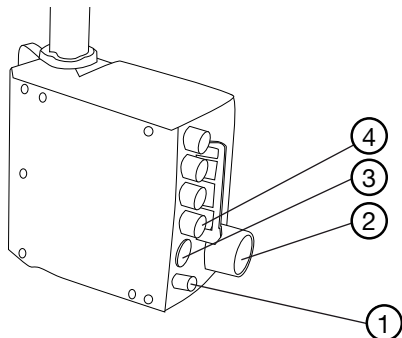
Spare parts

No.	Part no.	Description
-	56-305	Touch-up paint Bure, Silver 8
10F	56-328	Holder, hand controller (EL only)
L	56-340	Guide sleeve
G	56-341	Standard guide tube/chrome
G	56-341	Standard guide tube/chrome (Low)
9B /C	56-342	Plastic handle Bure GAS (GAS only)
J	56-343	End piece, guide tube
P	56-344	End piece, lower frame, Black/D45
10B	56-346	Linak - Battery incl. circuit board (EL, LA28 only)
10B	56-346-1	Linak- Battery (EL, LA31 only)
10E	56-349	Linak- Actuator (raise/lower) (EL, LA28 only)
10E	56-349-1	Linak- Actuator (raise/lower) (EL, LA31 only)
10C	56-345-1	Linak- Control box 220 V (EL, LA31 only)
10A	56-351	Battery shelf Std (EL only)
O	57-300	Lower frame, Bure Std
O	57-300-2	Lower frame, Bure S
K	56-301	Top frame
K	56-301-Low	Top frame (Low)
2	56-353	Handle kit, Bure Std (2 pairs incl. lock knob/clamps)
-	56-357	Wheel without brake 100 mm
-	56-358	Wheel with brake 100 mm
-	56-360	Wheel without brake 125 mm
-	56-387	Wheel with brake 75 mm
Q	56-361	Wheel with brake 125 mm
8	56-362	Lock lever, manual height adjustment
8	56-362-1	Lock lever, clamp, bolt for manual height adjustment
2F	56-363	Knob for adjusting handle
1B	56-364	Knob for adj. width of armrest plates
1A	56-366	Armrest, right, Bure Standard/S
1A	56-367	Armrest, left, Bure Standard/S
10D	56-370	Linak- Hand control 2channel (raise/lower), (EL, LA28 only)
10D	56-370-1	Linak- Hand control (raise/lower), (EL, LA31 only)
-	56-374	Linak- battery charger (EL, LA28 only)
M	56-375	Protective cover, plastic, Bure Standard
-	57-009-1	Coiled cable
1C	57-904	Washer, nylon
1D	57-918	Washer, black

Accessories

Part no.	Description
59-339-1-0	Handbrake kit/2 handles
59-339-1-1	Handbrake kit, one-handed brake
56-327	Frame elevation kit 70 mm
56-330	Gas strut kit 150N incl. attachment/lever
56-368	Gas strut 150N (gas strut only)
56-381	Gas strut kit 200N incl. attachment/lever
56-331	Stirrup
56-332	Linak - Electric motor kit incl. remote control, battery shelf (MANUAL, GAS only)
56-333	Footplate, Bure Standard (plate)
56-333-(SW)-STD	Platform short
56-383-(SW)-STD	Platform long
56-334	Drip holder
56-335	Attachment for drip holder
56-336	Oxygen holder
56-337	Side support, adjustable
56-338	Drip rod complete with attachment
56-389	Soft basket with attachment, Bure Standard/S

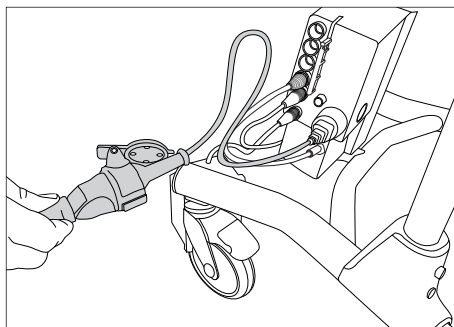
Other instructions – Linak



Control box wiring

1. Battery terminal socket.
2. Plug socket
NOTE! Plugs must ALWAYS be connected to the control box for IP classification to be valid.
3. Remote control socket.
4. Socket for the raise/lower actuator.

NOTE! Make sure that plugs are connected to the correct sockets otherwise the actuators may be damaged.



Battery charging

Battery charging must take place when the walker is not in use (the battery can never be overcharged). Charging is carried out by inserting the plug in a wall socket.



The battery should be charged at least 24 hours before first use.

General maintenance advice



- Wipe the walker and its armrests clean as necessary; use soap solution/surface disinfectant.
- The product may be cleaned in a tunnel washer or similar as electrical systems have IP65 protection. However, the product is not corrosion proof which means washing by machine may reduce its lifetime.
- Replace damaged parts immediately; must be done by experienced personnel.
- The product is only intended for indoor use.

Safety instructions

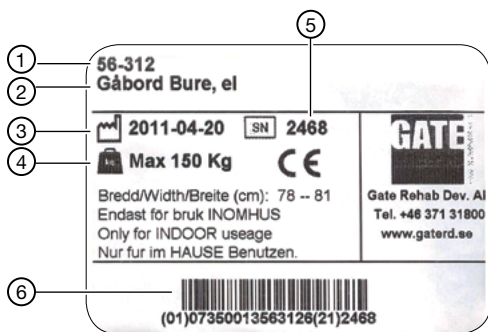


The Bure Walker may only be used:

- as a WALKING AID, indoors
- on HARD, LEVEL surfaces.

MAX USER WEIGHT: 150 KG

ID label



1. Part number
2. Product name
3. Date of manufacture
4. Max user weight
5. Serial number
6. EAN code

Recycling/Scrapping

When the product is no longer usable it should be recycled in accordance with legislation and regulations in the country concerned. All electrical parts including batteries must be removed and recycled as electrical components. (Ask your local recycling station for further information about how the different materials in the product (metals, plastics, electronics) should be recycled).

Warranty

We provide two years' warranty for manufacturing faults (does not apply to wear parts). For further information or enquiries please contact:



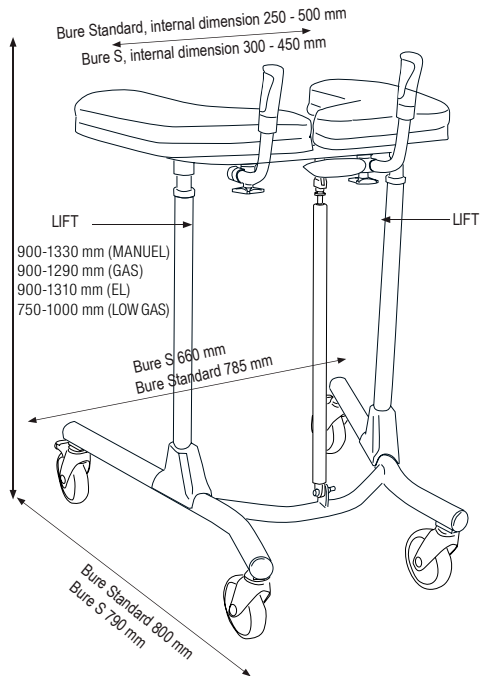
Gate Rehab Development AB
Industrigatan 2, SE-330 21 Reftetele
Tel: +46 371 31800
info@gaterd.se

Dimensions

	MANUAL	GAS	ELECTRIC	LOW GAS
Product weight	13 kg	15 kg	21 kg	13 kg
Product height	900–1330 mm	900–1290 mm	900–1310 mm	750–1000 mm

“LIFT” denotes suitable handhold for lifting the walker

NOTE! At least two people are required for lifting.



CE CE marked according to MDD 93/42/EEC.

The expected lifespan of this product = 8 years

GATE

WE DO BETTER.

Would you like to know more?

Contact us at: Tel: +46 371 31800
 Gate Rehab Development AB
 Industrigatan 2 | SE-333 75 Reftele
 info@gaterd.se | www.gaterd.se



GATE COLLECTION