

Instructions for Use



Amfibi™

Hygiene Chair

Amfibi Double 56-203DB



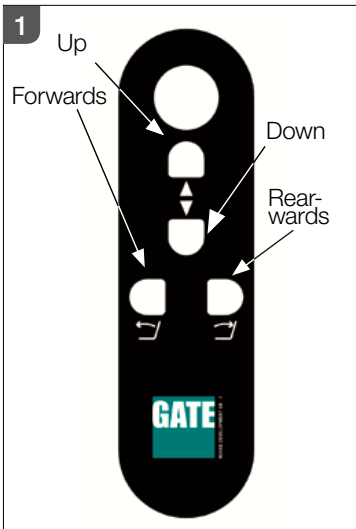
Safety



Read these instructions carefully before use

- Never stand on Amfibi.
- The Patient carer/nurse is responsible for ensuring that the product is suitable for its user.
- Battery care - get into the habit of always placing the battery in the charger overnight or whenever the chair will not be in use for a couple of days. The battery cannot be overcharged whereas it can be damaged if it is not charged regularly.
- The user should not weigh more than max 150 kg.
- When adjusting the height/reclining angle; make sure there is no risk of pinch injuries.
- Observe caution on inclines and when passing over thresholds or similar
- Never stand on the FOOTREST - overbalancing risk
- Battery charging must ALWAYS take place in dry spaces, never in wet rooms or similar.
- The chair must never be used WITHOUT batteries as moisture may enter and damage the control box/electronics.
- The chair must NEVER be used UNDERWATER (in a pool or similar).

Manoeuvring the Chair



When raising and lowering the seat use the "up" and "down" buttons. The tilt function is controlled by the "forwards" and "rearwards" buttons.

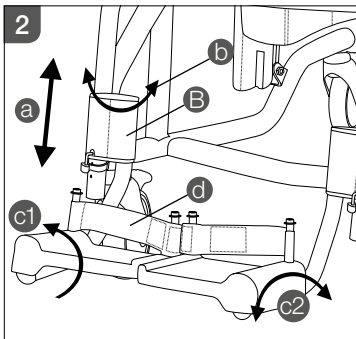


Manoeuvring may take place with the patient in the chair; make sure there is no risk of pinch injuries.

Audible signals during operations (warning symbol/N.B. symbol);

- 3 short buzzes means the battery must be recharged (chair can only be lowered).
- 1 short buzz means the battery is empty.

Foot support / Heel restraint

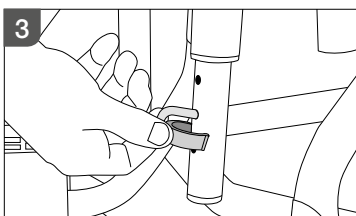


a) The foot support can be adjusted in height by removing the clips (see figure 3) and moving the foot support to the desired height (make sure to replace the clips).

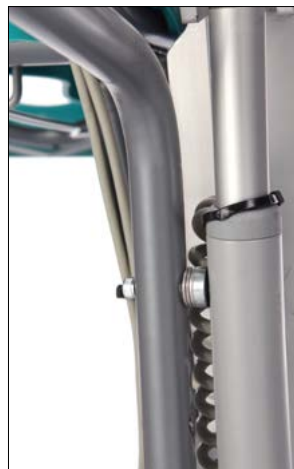
b) The foot support can be swung to the side by grasping it at arrow B and lifting/swinging

c) The foot support platform can be swung upwards (c1) and/or angled (c2) as desired.

d) Heel restraint length is adjusted by means of Velcro strips on the back of the heel restraint.



Tip protection – backwards



Amfibi Double is fitted with tilt protection that must always be in position/deployed whenever the chair is reclined backwards. This ensures that the chair cannot tip backwards in unfavourable load circumstances.

The tilt protection consists of two anti-tip tubes that are locked magnetically against the tilt actuator when retracted.



The tilt protection drops into position when the chair is reclined backwards. Check that the anti-tip tubes are locked in the extended position with the snap locks.

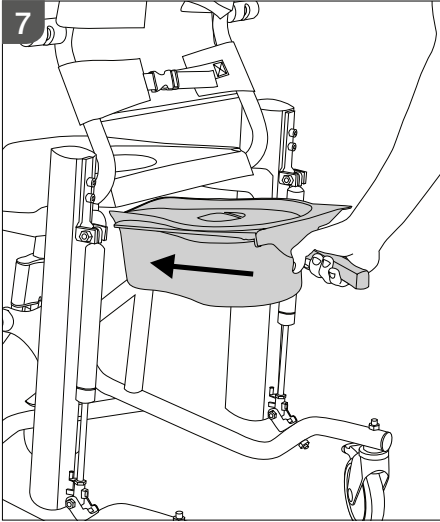
When retracting, release the tubes from the snap locks, lift them and lock them using the magnetic locks.



Locking the wheels

All of the wheels are lockable. They are locked by using a foot to press the brake (green) against the wheel. Free the brake by releasing using your foot.

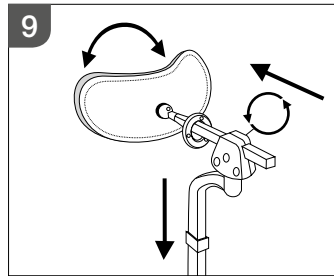
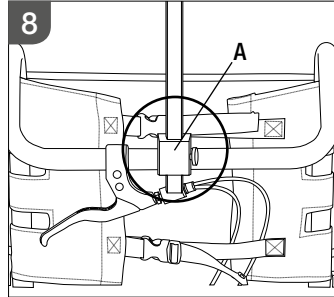
Sanitary pan



The sanitary pan is slid into position from behind between the seat and wire guides as shown in figure 7.

Make sure the sanitary pan is slid into position above the wire guides. Also make sure that the pan is in the right position in relation to the seat/cut-out

Installation/adjustment of the neck support



The neck support is installed in socket (A) on the chair's handlebar (see figure 8).

The neck support is multi adjustable (see figure 9) and can be fixed vertically, horizontally and radially in order to achieve the very best comfort for the patient.

Installing/removing the seat



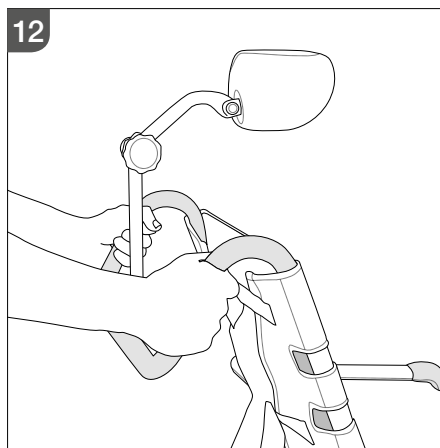
Locking the armrests



The armrest is locked in the extended position.

To lift the armrest, pull out the pin (1) and raise the armrest (2).

Moving the chair



We recommend using the handlebar whenever the chair (is to) be moved (with/without a patient). The handlebar is designed so that the chair can be moved forwards and turned (see figure 12) easily and with the use of little force.

Actuator calibration

If power is cut to the control box during operation or in direct connection to operation (within 5 seconds of the chair's having been manoeuvred) it may mean that the UP/DOWN or FORWARD/BACKWARD function has ceased to work. It is then necessary to reset/recalibrate the actuator position sensors.

Calibration UP/DOWN:

1. Press both of the remote control buttons UP/DOWN simultaneously for around 10 seconds until a beep is heard. Release the buttons.
2. Press the DOWN button and run the chair to its minimum position. Release the button. UP/DOWN function is now calibrated.

Calibration FORWARD/BACKWARD:

1. Press both of the remote control buttons FORWARD/BACKWARD simultaneously for around 10 seconds until a beep is heard. Release the buttons.
2. Press the BACKWARD button and run the chair to its maximum backward position. Release the button. FORWARD/BACKWARD function is now calibrated.

Battery installation/removal

13



The battery is usually located in the control box (in a bag behind the back strap) and is held in place magnetically.

Battery removal: Twist the battery 90° – pull it out.

Installation: Slide the battery into the control box. The battery is locked into position magnetically followed by a beep to signal everything is OK.



- Audible warnings when battery is installed;
- 2 long buzzes means calibration must be carried out (see above).
 - 5 short buzzes means the battery must be recharged before operations.

Charging the battery

Remove the battery from the control box and place it in the charger supplied. Connect the charger to the mains (red lamp shines - power connected, green lamp flashes - battery is charging). When the battery is fully charged the green lamp will shine. NOTE! Battery charging must always take place in dry spaces. The chair may NOT be used when the battery is removed – water may enter the control box and damage it.



Battery care - Get into the habit of always removing the battery from the control box and placing it in the charger whenever the chair is not used (especially overnight or when the chair will not be used for a few days). The control box always uses a small amount of power and therefore the battery is at risk of serious damage if it is not charged regularly.

Warranty

We provide a two-year warranty against any manufacturing defects (does not apply to wear parts).

Maintenance (annually)

The chair is fabricated from steel tubes (externally galvanized and powder coated/painted internally) and aluminium. Exposed parts that are not painted are made of aluminium/stainless steel. The chair is cleaned in the normal manner (autoclave proof to 60° (does not apply to control box and battery) and normal detergents). Take care to check that the product feels stable – no fasteners may be loose. Damaged or defective parts must be immediately replaced.

Cleaning

- Clean the chair by wiping with regular cleaning agent (NOT containing/based on Pentanol) or place in a washer/autoclave (max 85 °C). Make sure the control box/battery is removed before machine washing.
- Seat – may be removed for separate cleaning or placed in a washer/autoclave (max 85 °C) with the chair.

Specific check areas

1. Armrest – check that slip protection/wrist protection are intact and secured.
2. Electric actuator/raise-lower + electric actuator/recliner: check the function of the remote control and that the electric actuator attachment devices are not loose.
3. Seat/stopped seat – whole and without cracks. No sharp edges may be present.
4. Foot support platforms – whole and adjustable in the intended manner. Check that the clips are whole and properly fastened. Heel restraints must be in position at the back of each foot support platform.
5. Wheels – must not be stiff or loose. Also check that the brakes work.
6. Neck support – check that the neck support can be adjusted to the desired position. When necessary – tighten fasteners.
7. The Softbackrest should be without any damages in fabric or belts/locking mechanism.



 CE marked according to MDD 93/42/EEC.



Would you like to know more?

Contact us at: Tel: +46 371 31800
Gate Rehab Development AB
Industrigatan 2 | SE-330 21 Reftele
info@gaterd.se | www.gaterd.se



GATE COLLECTION