



A DIRECT HEALTHCARE GROUP COMPANY

Bure Standard Bure S Bure Low

Technical Manual



BURE STANDARD/BURE S/BURE LOW

Bure Standard

Bure S

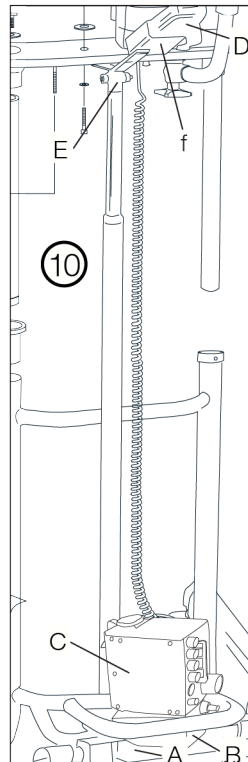
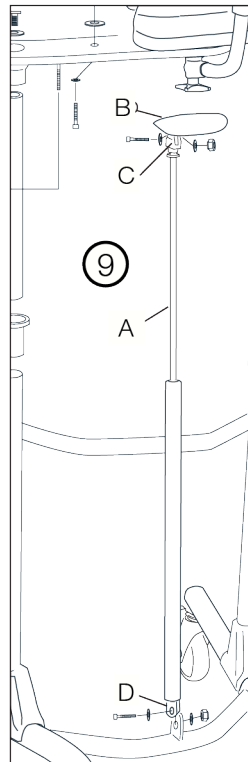
Bure Low

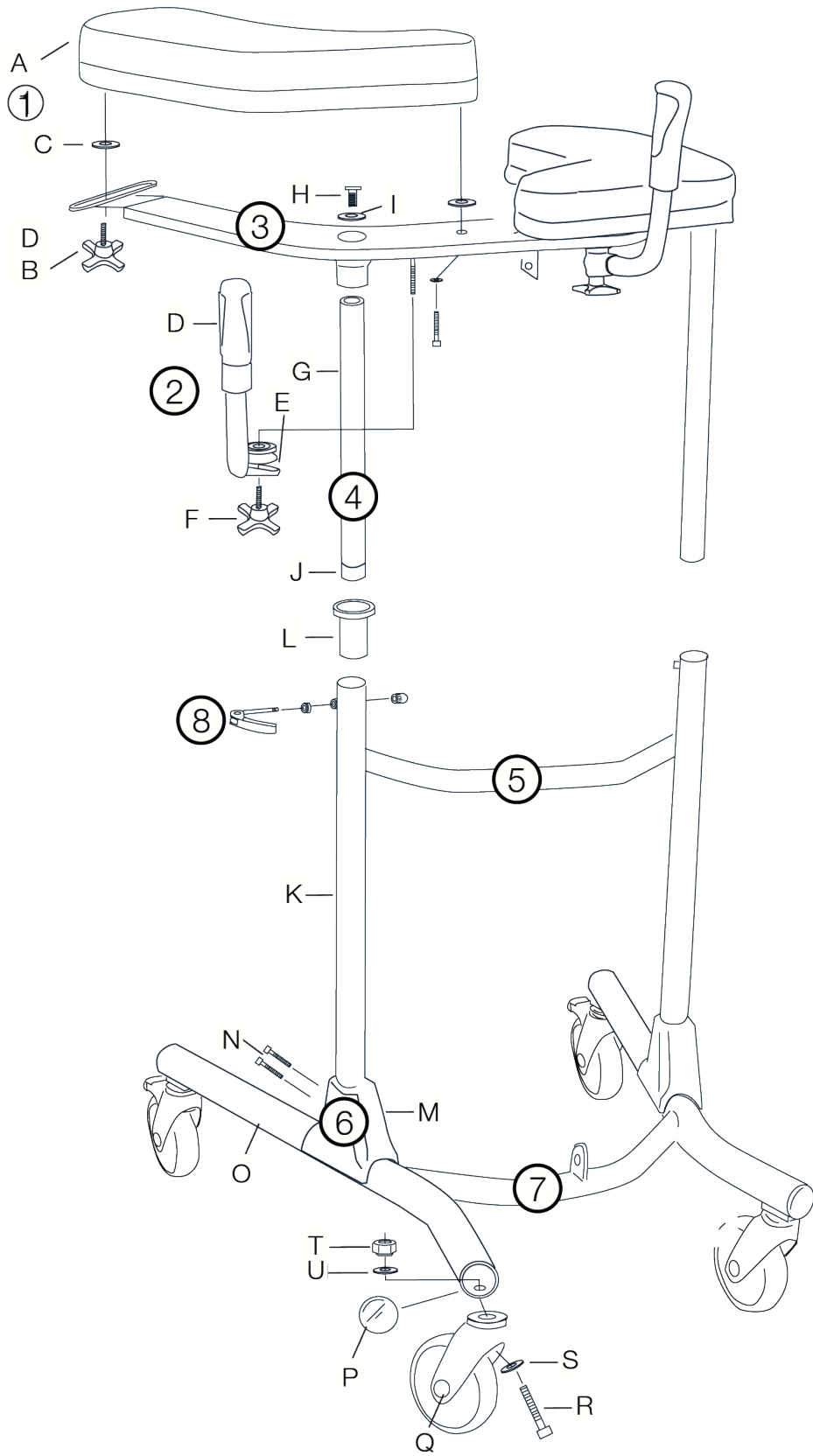
Contents

1. Parts list	04
2. Spare parts	06
3. Accessories	07
4. Other instructions - Linak	07
5. Other instructions - T-Motion	08
6. General maintenance advice	09
7. Safety instructions	09
8. ID label	09
9. Recycling/Scrapping	10
10. Warranty	10
11. Dimensions	10

1. Parts list

1	A	Armrest	6	M	Protective cover
	B	Knob		N	Bolts
	C	Plastic washer			
	D	Washer, black			
2	D	Handle & grip	7	O	Wheel frame
	E	Clamp		P	End bushing
	F	Knob		Q	Wheel
		R		Bolt	
		S		Washer	
		T		Nut	
		U		Serrated washer	
3		Upper frame	8		Locking handle, height adjustment
4	G	Chromium-plated tube	9	A	Gas strut
	H	Attachment bolt (2 pcs)		B	Handle
	I	Serrated washer		C	Arm/housing
	J	End bushing		D	Bolt, washer (2 pcs), nut (attachment at bottom and top)
5	K	Frame	10	A	Battery shelf & attachment bolts
	L	Sleeve guide		B	Battery & nut/ bolt (for attachment to battery shelf)
				C	Control box (Linak/TiMotion)
				D	Remote control (Linak/TiMotion)
				E	Actuator (Linak/TiMotion)





2. Reservdelar

Nr.	Art. Nr.	Beskrivning
-	56-305	Touch-up paint Bure, Silver 8
10F	56-328	Holder, hand controller (EL only)
L	56-340	Guide sleeve
G	56-341	Standard guide tube/chrome
9B/C	56-342	Plastic handle Bure GAS (GAS only)
J	56-343	End piece, guide tube
P	56-344	End piece, lower frame, Black/D45
10B	56-346	Linak - Battery incl. circuit board (EL, LA28 only)
10B	56-346-1	Linak- Battery (EL, LA31 only)
10B	58-317	T-Motion - Battery
10E	56-349	Linak- Actuator (raise/lower) (EL, LA28 only)
10E	56-349-1	Linak- Actuator (raise/lower) (EL, LA31 only)
10E	58-315	T-Motion- Actuator (raise/lower)
10C	56-345-1	Linak- Control box 220 V (EL, LA31 only)
10C	58-316	T-Motion- Control box 220 V
10A	56-351	Battery shelf Std (EL only)
O	57-300	Lower frame, Bure Std
O	57-300-2	Lower frame, Bure S
2	56-353	Handle kit, Bure Std (2 pairs incl. lock knob/clamps)
-	56-357	Wheel without brake 100 mm
-	56-358	Wheel with brake 100 mm
-	56-360	Wheel without brake 125 mm
-	56-387	Wheel with brake 75 mm
Q	56-361	Wheel with brake 125 mm
8	56-362	Lock lever, manual height adjustment
8	56-362-1	Lock lever, clamp, bolt for manual height adjustment
2F	56-363	Knob for adjusting handle
1B	56-364	Knob for adj. width of armrest plates
1A	56-366	Armrest, right, Bure Standard/S
1A	56-367	Armrest, left, Bure Standard/S
10D	56-370	Linak - Hand control 2channel (raise/lower), (EL, LA28 only)
10D	56-370-1	Linak- Hand control (raise/lower), (EL, LA31 only)
10D	58-318	T-Motion- Hand control (raise/lower)
-	56-374	Linak- battery charger (EL, LA28 only)
M	56-375	Protective cover, plastic, Bure Standard
-	57-009-1	Coiled cable
-	58-326	T-Motion- Coiled cable
1C	57-904	Washer, nylon
1D	57-918	Washer, black

3. Tillbehör

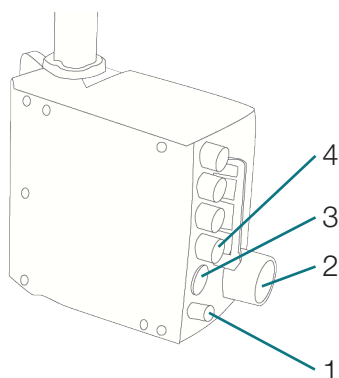
Art. Nr.	Beskrivning
56-326-0	Handbrake kit/2 handles
56-326-1	Handbrake kit, one-handed brake
56-327	Frame elevation kit 70 mm
56-330	Gas strut kit 150N incl. attachment/lever
56-368	Gas strut 150N (gas strut only)
56-381	Gas strut kit 200N incl. attachment/lever
56-331	Stirrup
56-332	Linak - Electric motor kit incl. remote control, battery shelf (MANUAL, GAS only)
56-333	Footplate, Bure Standard (plate)
56-333-1	Platform short
56-383	Platform long
56-334	Drip holder
56-335	Attachment for drip holder
56-336	Oxygen holder
56-337	Side support, adjustable
56-338	Drip rod complete with attachment
56-389	Soft basket with attachment, Bure Standard/S

4. Other instructions – Linak

Control box wiring

1. Battery terminal socket
2. Plug socket
- (NOTE: Plugs must always be connected to the control box for IP classification to be valid.)
3. Remote control socket
4. Socket for the raise/lower actuator

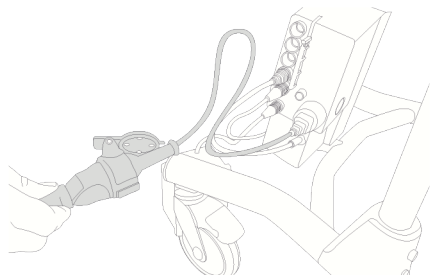
NOTE: Make sure that the plus are connected to the correct sockets otherwise the actuators may be damaged



Battery charging

Battery charging must take place when the walker is not in use (the battery can never be overcharged). Charging is carried out by inserting the plug in a wall socket.

The battery should be charged at least 24 hours before first use.



5. Other instructions T-Motion

Control box wiring diagram

To handle couplings as below, the control box cover must be removed. This is done with the help of a screwdriver or similar - see special marking on the control box.

1. Socket for the raise/lower actuator. NOTE! Make sure that the connectors are connected to the correct socket as this can otherwise damage actuators
2. Remote control socket
3. Battery terminal socket
4. Plug socket (NOTE: Plugs must always be connected to the control box for IP classification to be valid).



Laddning av batteri

- Plug in to 230V wall socket. Charging starts automatically and the battery LED blinks green.
- Charge the battery for at least 8 hours.
- If the product will not be used for an extended period of time (more than 3 weeks), we recommend that the battery is removed from the control box. In this way, the risk of the battery being destroyed, as the control box consumes a small amount of power even when the product is not used, is eliminated.

- **LED on controlbox and battery**

Control box – green light when power is available from battery/mains socket.

Battery:

- The LED flashes green during charging.
- ON/OFF: To use the product, press ON.
- The green lamp will begin to flash.
- Use the OFF button (hold down for 5 s) to switch off the battery if the product will not be used for an extended period.
- The LED will shows a constant green light when the battery is fully charged.
- When the battery is in normal state/in operation, the LED flashes green at REGULAR intervals, namely 0.5 s ON, 4 s OFF.
- When the battery requires charging (remaining charge <25%) the LED will flash orange/red at REGULAR intervals, namely 0.5 s ON, 4 s OFF.

NOTE: The battery has an in-built device that automatically switches it off when remaining charge is <20%. The LED is then extinguished. The battery must now be fully charged before the electronics can be used again.

6. General maintenance advice

- Wipe the walker and its armrests clean as necessary; use soap solution/surface disinfectant.
- The product may be cleaned in a tunnel washer or similar as electrical systems have IP65 protection. However, the product is not corrosion proof which means washing by machine may reduce its lifetime.
- Replace damaged parts immediately; must be done by experienced personnel.
- The product is only intended for indoor use

7. Safety instructions

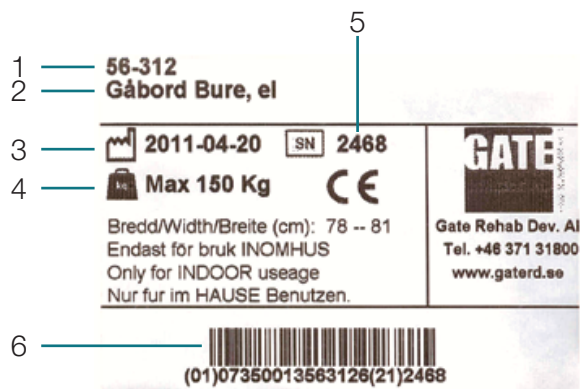
The Bure Walker may only be used:

- As a WALKING AID, indoors
- On HARD, LEVEL surfaces.

MAX USER WEIGHT: 150 KG

8. ID-märkning

1. Part number
2. Product name
3. Date of manufacture
4. Max user weight
5. Serial number
6. EAN code



9. Recycling/Scrapping

When the product is no longer usable it should be recycled in accordance with legislation and regulations in the country concerned. All electrical parts including batteries must be removed and recycled as electrical components. (Ask your local recycling station for further information about how the different materials in the product (metals, plastics, electronics) should be recycled).

10. Warranty

We provide two years' warranty for manufacturing faults (does not apply to wear parts). For further information or enquiries please contact:

Gate Rehab Development AB
 Industrigatan 2, S-330 21 Reftele
 tel 0371-318 00
 info@gaterd.se



A DIRECT HEALTHCARE GROUP COMPANY

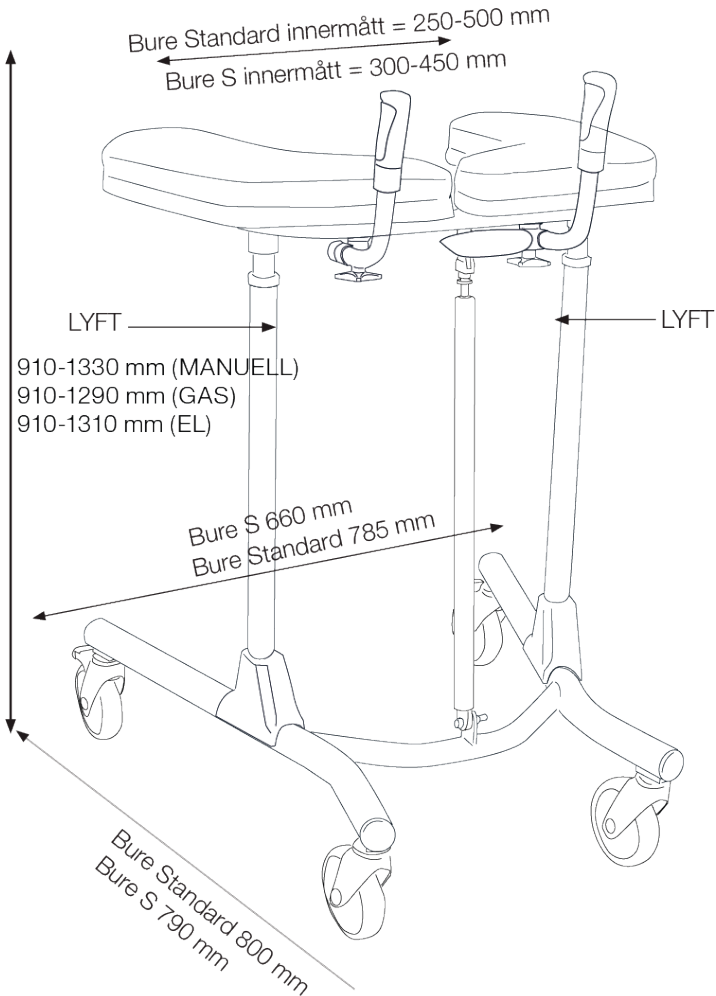
11. Dimensions

	MANUAL	GAS	EL
Product weight	13kg	15kg	21kg
Product height	91-133cm	91-129cm	21-131cm

“LIFT” denotes suitable handhold for lifting the walker

NOTE: At least two people are required for lifting.

TECHNICAL MANUAL





A DIRECT HEALTHCARE GROUP COMPANY

Gate Rehab Development AB
Industrigatan 2
Reftele, Sverige
S-330 21

T: 0371-318 00
F: 0371-318 01
E: info@gaterd.se

LIT-00098 Issue 1
Date: January 2020

GATERD.SE